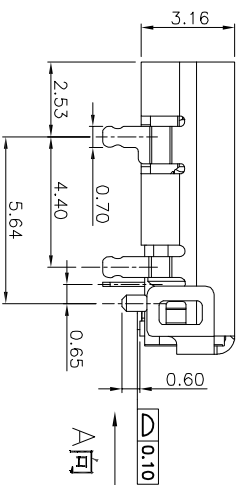
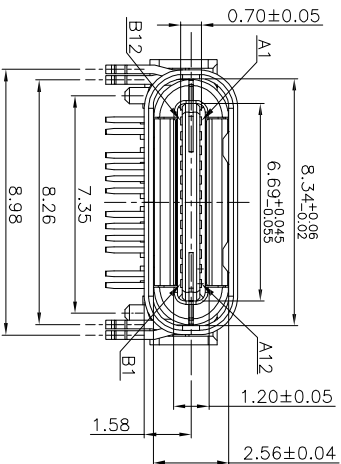
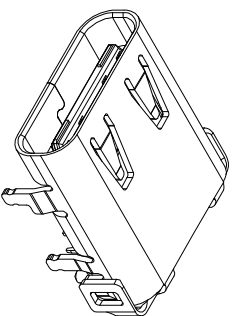


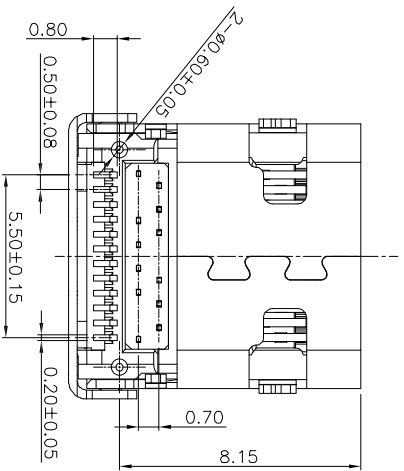
A向示意图



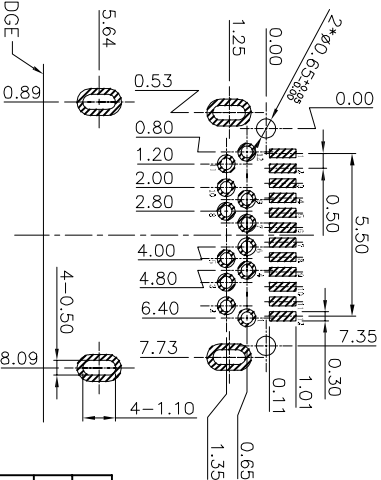
A向



PIN	SIGNAL NAME	PIN	SIGNAL NAME
A1	GND	B12	GND
A2	TX1+	B11	RX1+
A3	TX1-	B10	RX1-
A4	VBUS	B9	VBUS
A5	CC1	B8	SBU2
A6	D+	B7	D-
A7	D-	B6	D+
A8	SBU1	B5	CC2
A9	VBUS	B4	VBUS
A10	RX2-	B3	TX2-
A11	RX2+	B2	TX2+
A12	GND	B1	GND



PCB EDGE



RECOMMEND PCB LAYOUT(TOLERANCE:±0.05)
(THICKNESS:1.0mm OR 1.2mm)

NO.	NAME	DESCRIPTION
3	CONTACT	COPPER ALLOY
2	INSULATOR	HIGH TEMPERATURE PLASTIC UL 94 V-0
1	SHELL	Stainless Steel

GENERAL TOLERANCE	DWG NO.	JYSA0413-02	APPD:	WMD	Scale	1:1
X±0.45	X:±5'				UNIT	mm
X±0.35	X:±2'	Title	USB 31 C TYPE 母头 板孔=9.8mm 排距0.70mm 外壳后盖材料 脚长1.25mm	CHKD:		
.XX±0.25	.XX'±1'	Part NO.	JYS-USB980-004	Date	2017/06/09	
.XXX±0.15	.xxx'±0.5'					
SHEET 1/1						

JYS 杰宇森电子有限公司
JIE YU SEN ELECTRONIC CO., LTD.

Specification:

- Electrical Characteristics:
 - Contact Current Rating: 3 Amperes Max.
 - Rated Voltage: 30V Max.
 - Dielectric Withstanding Voltage: AC 100V r.m.s.
 - Insulation Resistance: 100 MΩ Minimum.
 - Contact Resistance: 40 mΩ Maximum.
- Environmental:
 - Operating Temperature: -40°C~+85°C.
- Mechanical Characteristics:
 - Insertion Force: 5~20Nf.
 - Withdrawal Force: 6~20Nf.
 - Durability Cycles: 10000 Cycles.

REV.	EGN.NO.	MODIFY CONTENT	DATE
A		NEW	2017/06/09