

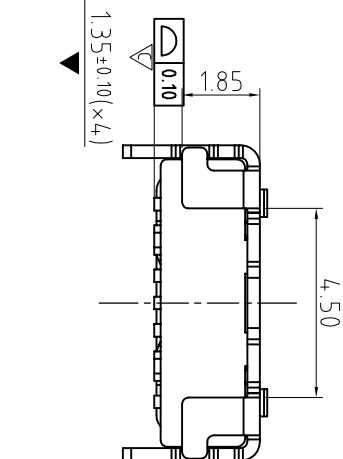
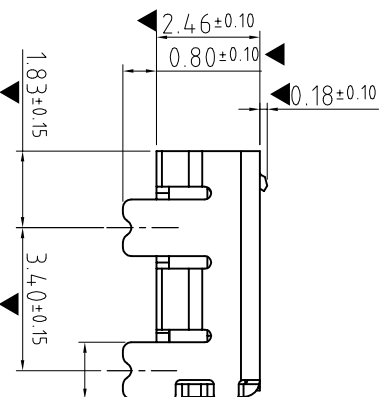
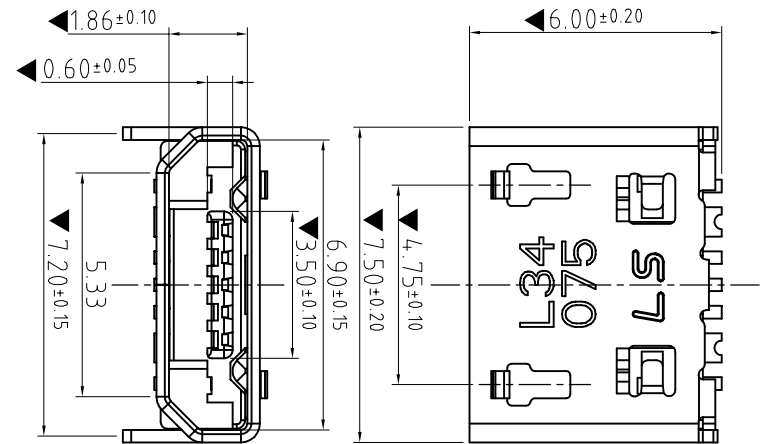
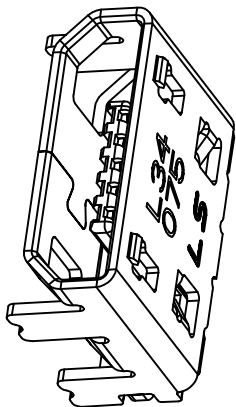
REV.	EGN.NO.	MODIFY CONTENT	DATE
A		NEW	2014/3/29

Notes:

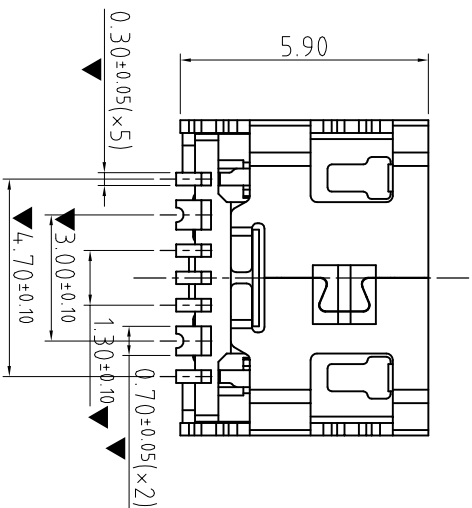
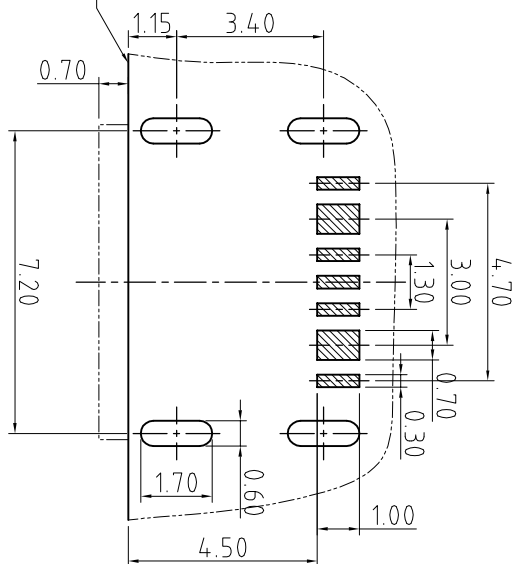
1. Dimension shall be interpreted per ASME Y14.5M1994.
2. Dimension marked ◻ & ◀ should be checked by Q.C. and process, engineers and ◻ should also check the CPK data.

Specification:

1. Current Rating: 1.0 AMP
2. Voltage Rating: 30V A.C./D.C
3. Dielectric Strength: 500V AC RMS for 1 minute.
4. Contact Resistance: 30 mΩ Max.
5. Insulator Resistance: 500M Ω Min. AT 250V DC.
6. Mating/Ummating cycles: 2000cycles
7. Temperature: -20°C to +60°C



PUB OUT LINE
P.C.B LAYOUT



ITEM	PART NAME	Q'TY	FINISH	NOTE
4	Shell	1	Spec Tin/Ni Plating T=0.30mm	
3	Contact-2	2	Phosphor bronze C5210R-EH Au/Ni Plating T=0.15mm	
2	Contact-1	5	Phosphor bronze C5210R-EH Au/Ni Plating T=0.15mm	
1	Housing	1	PA9T&LCP (G.F30%) Black	

GENERAL TOLERANCE		DWG NO.	APPD:	WIND	Scale
X.±0.45	X.±1.5'	JYSA0508-001			1:1
X.±0.35	X.±2'		CHKD:		UNIT
.XX±0.25	.XX'±1'	Part NO.	DR:		mm
.XXX±0.15	.xxx'±0.5'	JYS-USB720-054	Date	2014/03/29	
SHEET 1/1					

杰宇森电子有限公司
JIE YU SEN ELECTRONIC CO., LTD.