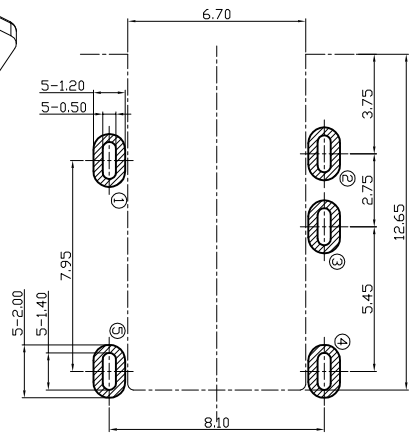
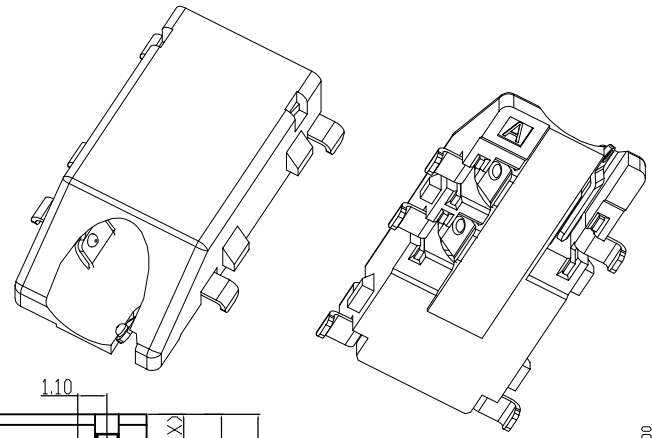
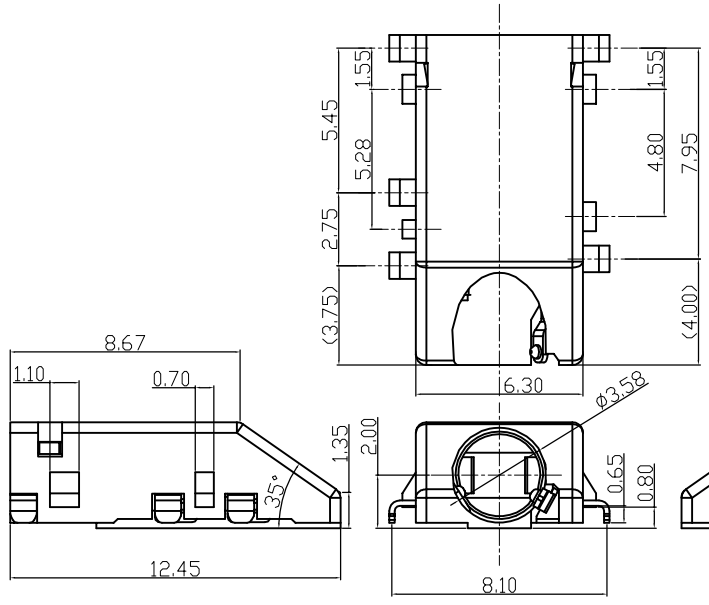
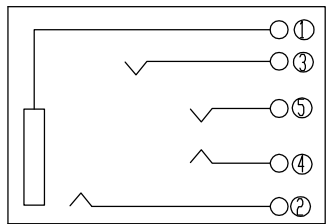
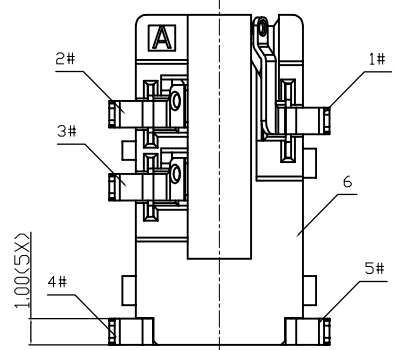


REV.	ECN.NO.	MODIFY.CONTENT	DATE
A		NEW	2016/10/31

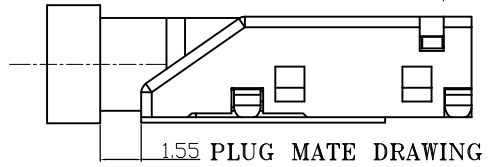


**RECOMMEND PCB LAYOUT**  
TOLERANCE ±0.05

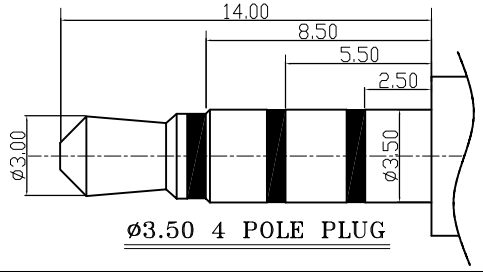


SCHEMATIC

- NOTES:
- MATERIAL:
    - HOUSING: UL94V-0, COLOR: BLACK
    - CONTACT: SUS ALLOY
  - PLATING:
    - CONTACTS PLATING: SEE ORDERING INFORMATION
  - RATING:
    - OPERATING VOLTAGE: 30VAC/DC.
    - CURRENT RATING: 0.5A AC/DC.
    - OPERATING TEMPERATURE: -25°C~+85°C



1.55 PLUG MATE DRAWING



ø3.50 4 POLE PLUG

GENERAL TOLERANCE		DWG NO.	JYSA0528-001	APPD:	WIND	Scale	1:1
X.±0.45	x.'±5'	Title	ø3.50 5 P DIP SINK TYPE 0.80 AUDIO JACK	CHKD:		UNIT	mm
.X±0.35	.x'±2'			DR:			
.XX±0.25	.xx'±1'	Part NO.	JYS-JK080-050	Date	2016/10/31		
.XXX±0.15	.xxx'±0.5'	Shenzhen <b>JYSCONN Electronics Co., LTD.</b>					
SHEET	1/1						