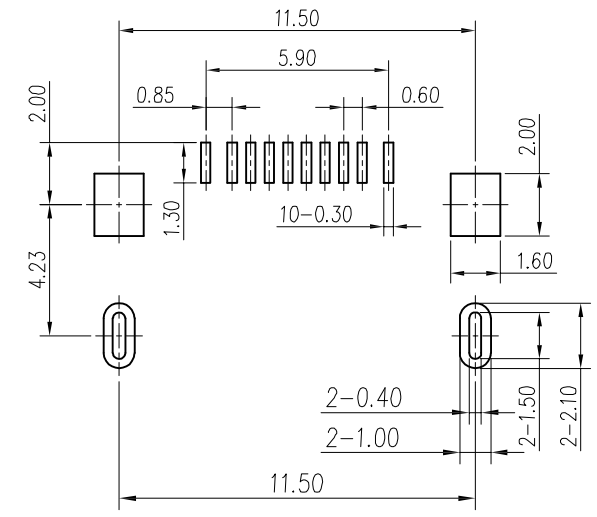
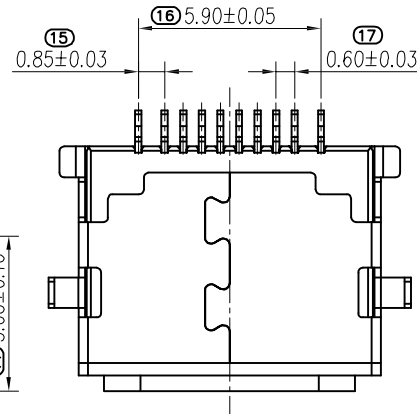
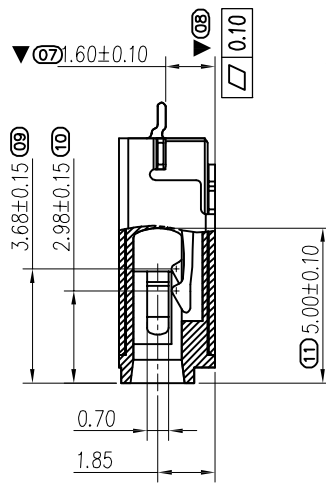
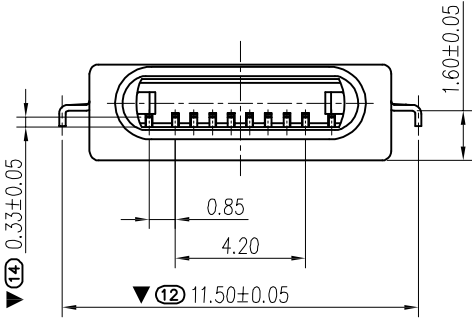
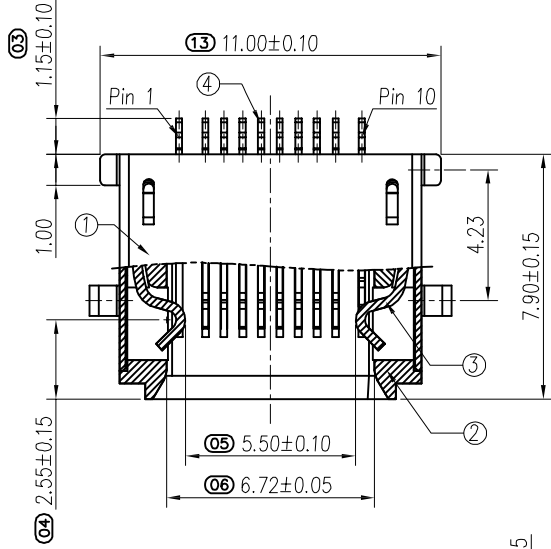
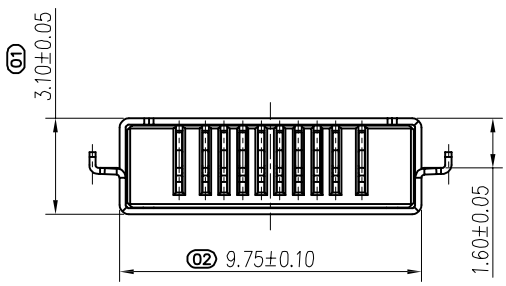


REV.	ECN.NO.	MODIFY.CONTENT	DATE
A		NEW	2013/05/28



RECOMMENDED P.C.B HOLE LAYOUT  
COMPONENT SIDE VIEW(TOLERANCE: +/-0.05)

Specification:

- Electrical Characteristics:
  - Contact Current Rating: 1.5 Amperes Max.
  - Rated Voltage: 30V Max.
  - Dielectric Withstanding Voltage: AC 500V r.m.s.
  - Insulation Resistance: 100 MΩ Minimum.
  - Contact Resistance: 50 mΩ Maximum.
- Environmental:
  - Operating Temperature: -25°C~+85°C.
- Mechanical Characteristics:
  - Insertion Force: 15Nf Max.
  - Withdrawal Force: 3Nf Min.
  - Durability Cycles: 5000 Cycles.
- ⊗ Make is FAI test Dimension  
▼ Make is major test Dimension

PIN NO.	NAME	PIN NO.	NAME
1	GND	7	DP2
2	DP1	8	ACC2
3	DN1	9	DETECT1
4	ACC1	10	DETECT2
5	PWR IN	Shell	GND
6	DN2		

NO.	NAME	DESCRIPTION
4	CONTACT	Copper Alloy; AuNiSn; T=0.20mm;
3	LATCH	Stainless Steel; SUS304, T=0.30mm;
2	HOUSING	LCP Thermoplastic, UL94V-0;
1	SHELL	Stainless Steel; SUS304, T=0.20mm;

GENERAL TOLERANCE		DWG NO.	JYSA0528-001	APPD:	WIND	Scale	1:1
X.±0.45	x.±5'	Title	USB 10P 0.6pitch I/O CONN 沉板1.6mm	CHKD:		UNIT	mm
.X±0.35	.x'±2'			DR:			
.XX±0.25	.xx'±1'	Part NO.	JYS-USB310-009	Date	2013/05/28		
.XXX±0.15	.xxx'±0.5'			<b>JYSCONN Electronics Co., LTD.</b>			
SHEET	1/1						