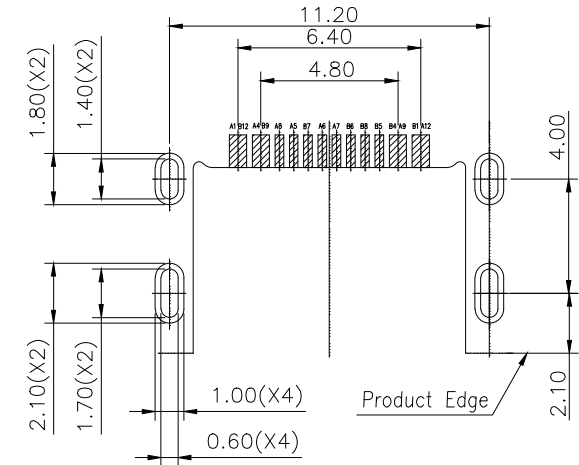
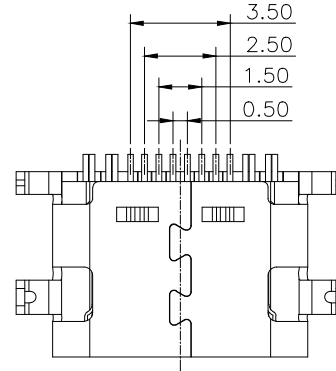
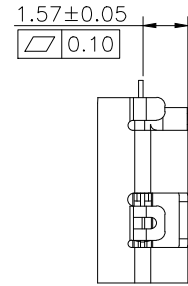
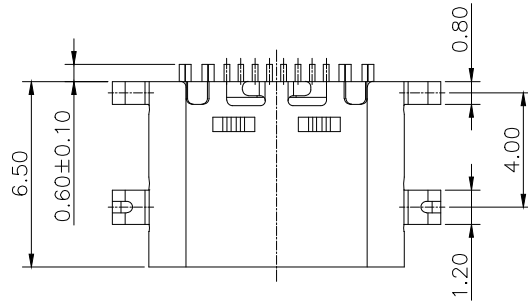
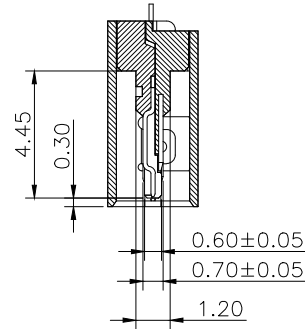
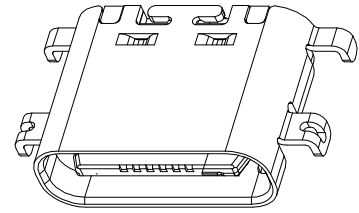
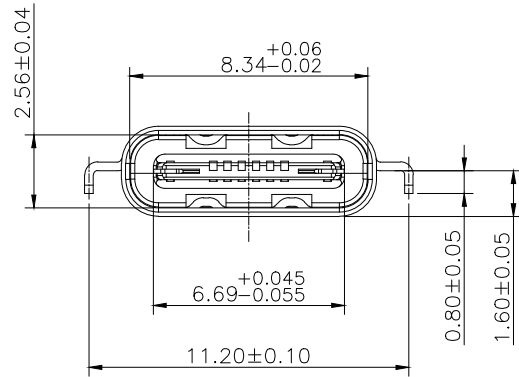


REV.	ECN.NO.	MODIFY.CONTENT	DATE
A0		NEW	2018/05/17



RECOMMENDED P.C.B. LAYOUT  
TOLERANCE UNSPECIFIED ±0.05mm



A1	GND	B12	GND
A4	VBUS	B9	VBUS
A5	CC1	B8	SBU2
A6	DP1	B7	DN2
A7	DN1	B6	DP2
A8	SBU1	B5	CC2
A9	VBUS	B4	VBUS
A12	GND	B1	GND
PIN	SIGNAL NAME	PIN	SIGNAL NAME

Specification:

- Electrical Characteristics:
  - Contact Current Rating: 3 Amperes Max.
  - Rated Voltage: 30V Max.
  - Dielectric Withstanding Voltage: AC 100V r.m.s.
  - Insulation Resistance: 100 MΩ Minimum.
  - Contact Resistance: 40 mΩ Maximum.
- Environmental:
  - Operating Temperature: -40°C~+85°C.
- Mechanical Characteristics:
  - Insertion Force: 5~20Nf.
  - Withdrawal Force: 6~20Nf.
  - Durability Cycles: 10000 Cycles.
- ⊗ Make is FAI test Dimension  
▼ Make is major test Dimension

NO.	NAME	DESCRIPTION
3	CONTACT	COPPER ALLOY
2	INSULATOR	HIGH TEMPERATURE PLASTIC UL 94 V-0
1	SHELL	Stainless Steel

GENERAL TOLERANCE		DWG NO.	JYSA180517	APPD:	WIND	Scale	1:1
X.±0.45	x.*±5°	Title	USB CF 16PIN (L=6.5) MID MOUNT 1.60	CHKD:		UNIT	mm
.X±0.35	.x*±2°			DR:			
.XX±0.25	.xx*±1°	Part NO.	JYS-USB160-012	Date	2018/05/17		
.XXX±0.15	.xxx*±0.5°						
SHEET	1/1	<b>JYSCONN Electronics Co., LTD.</b>					