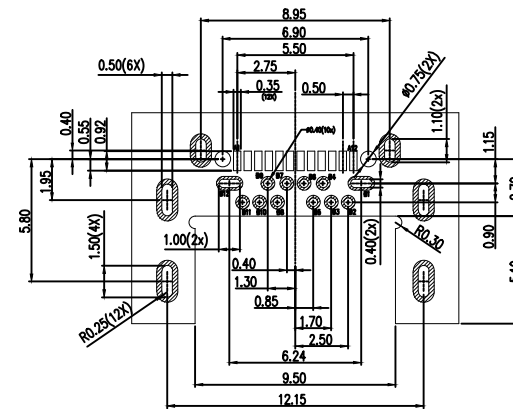
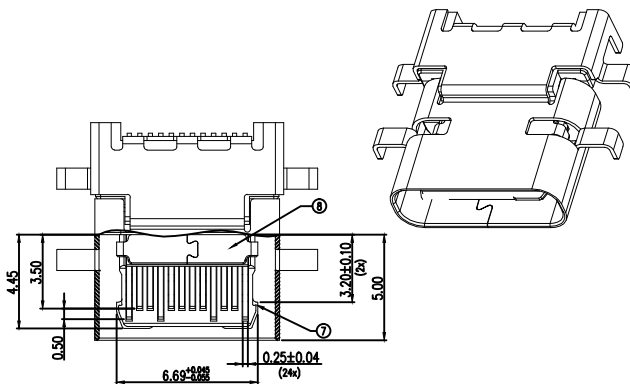
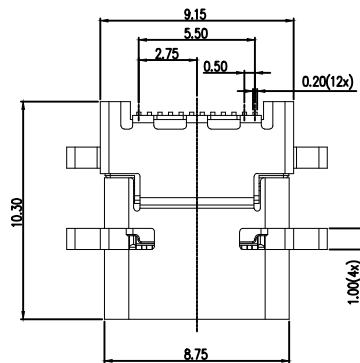
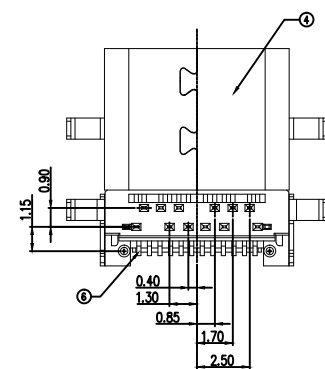
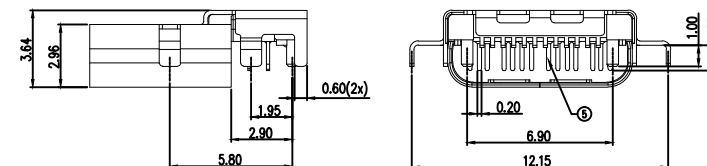
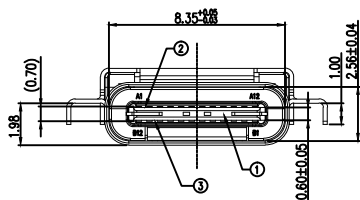


REV.	ECN.NO.	MODIFY.CONTENT	DATE
A		NEW	2020/05/25



PCB LAYOUT (RECOMMENDED)
(Tol: ±0.05)



- 1.Electrical Performance:
 Current Rating:5A on Vbus/ 1.25A on Vconn/0.25A on others
 Insulation Resistance:100MΩ MIN;
 Dielectric Voltage:100 VAC/minute;
 Contact Resistance:40mΩ Max for initial;
 2.Mechanical Performance:
 Insertion Force:5~20N
 Extraction Force:8~20N
 Durability:10,000 Times

Pin NUMBER	SIGNAL NAME
1	VBUS
2	D-
3	D+
4	GND
5	StdA_SSRX-
6	StdA_SSRX+
7	GND_DRAIN
8	StdA_SSTX-
9	StdA_SSTX+
Shell	Shield

PIN	Signal Name	PIN	Signal Name
A1	GND	B12	GND
A2	SSTXp1	B11	SSRXp1
A3	SSTXn1	B10	SSRXn1
A4	VBUS	B9	VBUS
A5	CC1	B8	SBU2
A6	Dp1	B7	Dn2
A7	Dn1	B6	Dp2
A8	SBU1	B5	CC2
A9	VBUS	B4	VBUS
A10	SSRXn2	B3	SSTXn2
A11	SSRXp2	B2	SSTXp2
A12	GND	B1	GND

GENERAL TOLERANCE	DWG NO.	JYSA0413-02	APPD:	WIND	Scale	1:1
X.±0.45	x.±5°	Title	CHKD:	DR:	UNIT	mm
.X±0.35	.x±2°					
.XX±0.25	.xx±1°	Part NO.	JYS-USB198-088	Date	2020/05/25	
.XXX±0.15	.xxx±0.5°	Shenzhen		JYSCONN Electronics Co., LTD.		
SHEET	1/1					