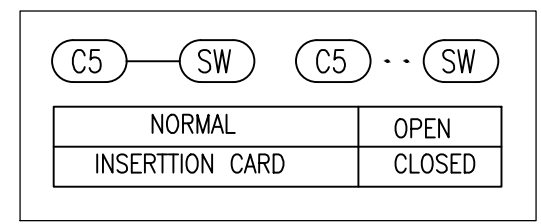
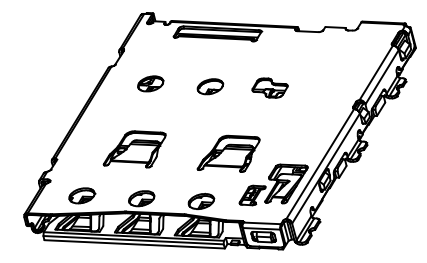
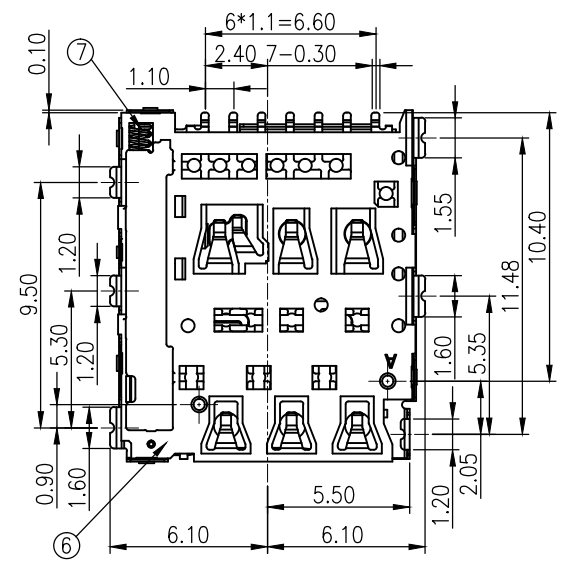
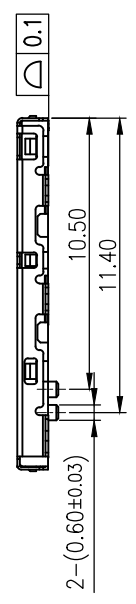
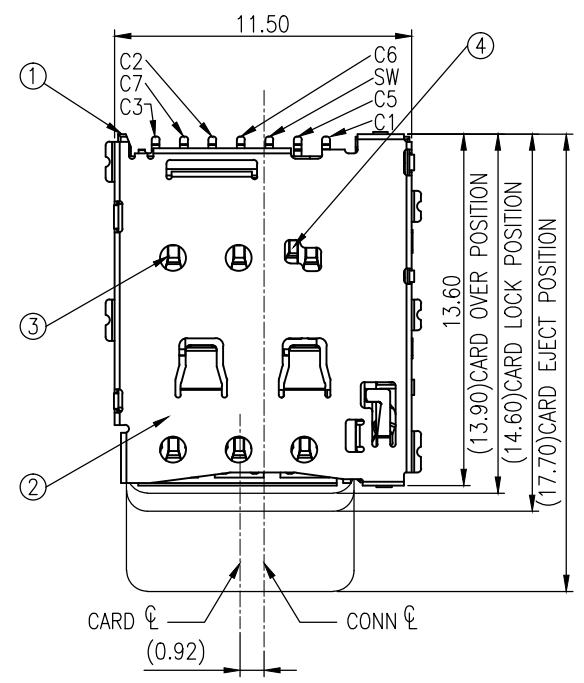
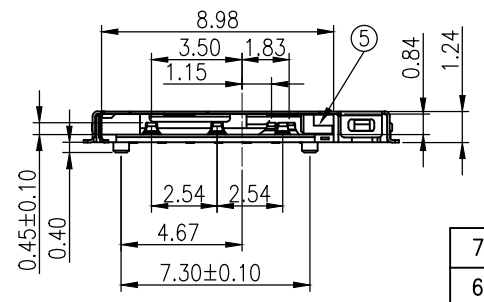
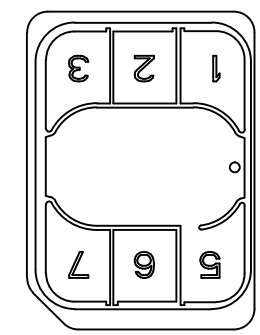


REV.	ECN.NO.	MODIFY.CONTENT	DATE
A0		NEW	2019/07/20



Nano SIM Circuit Description:

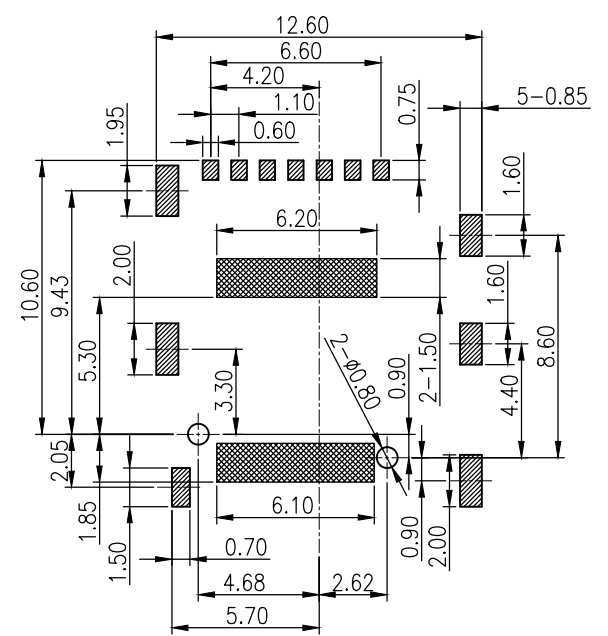
PIN No.	FUNCTION
C1	VCC
C2	RST
C3	CLK
C5	GND
C6	VPP
C7	I/O





NO.	DESCRIPTION	Q'TY	Material
7	SPRING	1	THERMOPLASTIC RATING UL94V-0
6	LINK	1	STAINLESS STEEL
5	SLIDE	1	STAINLESS STEEL
4	DETECT PIN	1	COPPER ALLOY
3	CONTACT	1	COPPER ALLOY
2	SHELL	1	STAINLESS STEEL
1	HOUSING	1	LCP UL94V-0

GENERAL TOLERANCE	DWG NO.	APPD:	Scale	1:1
X.±0.45	x.'±5'	CHKD:	UNIT	mm
.XX±0.35	.x'±2'	DR:	视角	
.XX±0.25	.xx'±1'	Date	2019/07/20	版本
.XXX±0.15	.xxx'±0.5'	Part NO.	JYS-SIM124-200	版次
SHEET 1/3		Shenzhen JYSCONN Electronics Co., LTD.		

REV.	ECN.NO.	MODIFY.CONTENT	DATE
A0		NEW	2019/07/20





 SMT SOLDER AREA.
 NO PATTERN AREA

RECOMMENDED PCB LAYOUT
 ALL TOLERANCE $\pm 0.05\text{MM}$

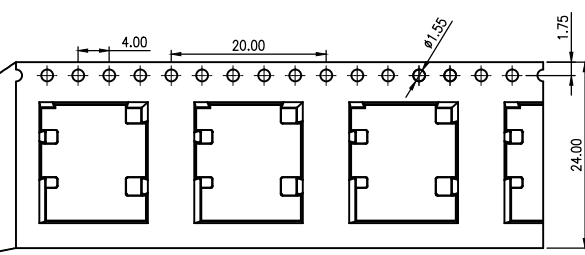
NOTES:

1. FINISH:
 - 1.1 CONTACT:
50u"MIN NICKEL UNDER PLATED,1u"MIN GOLD PLATING ON CONTACT AREA,GOLD FLASH PLATING ON SOLDERING AREA
 - 1.2 SHELL:
30u"MIN NICKEL UNDER PLATED;
1u"MIN GOLD PLATING ON SOLDERING AREA.
- 2.ELECTRICAL REQUIREMENTS:
 - 2.1 RATED CURRENT:0.5A
 - 2.2 CONTACT RESISTANCE:50mΩ MAX
 - 2.3 INSULATION RESISTANCE:1000MΩ MIN 200V DC FOR 1 MINUTE
 - 2.4 DIELECTRIC WITHSTANDING VOLTAGE: 500V AC FOR 1 MINUTE.
- 3.MECHANICAL REQUIREMENTS:
DURABILITY:3000 CYCLES MIN.
- 4.ENVIRONMENTAL REQUIREMENTS:
 - 4.1 OPERATING TEMP:-30℃~+85℃
 - 4.2 STORAGE TEMP:-40℃~+85℃
- 5.RECOMMENDED PROCESS DONDITION:
IR-REFLOW,PEAK TEMPERATURATURE AND TIME:250℃,5-10S
- 6.METALMASK THICKNESS 0.10MM MIN

GENERAL TOLERANCE		DWG NO.	APPD:		Scale	1:1
X.±0.45	x.'±5'	Title	NANO SIM CARD PUSH PUSH 7PIN 1.24H	CHKD:	UNIT	mm
.X±0.35	.x'±2'			DR:	视角	
.XX±0.25	.xx'±1'	Part NO.	JYS-SIM124-200	Date	2019/07/20	版本
.XXX±0.15	.xxx'±0.5'			JYSCONN Electronics Co., LTD.		
2/3						

REV.	ECN.NO.	MODIFY.CONTENT	DATE
A0		NEW	2019/07/20

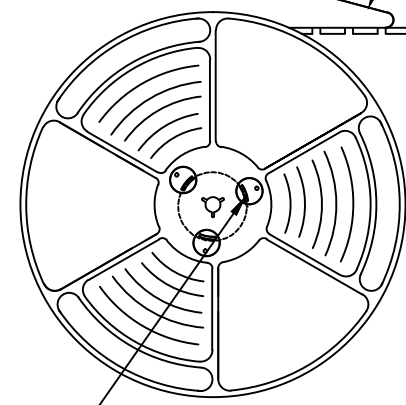
User Direction of Unreeling →



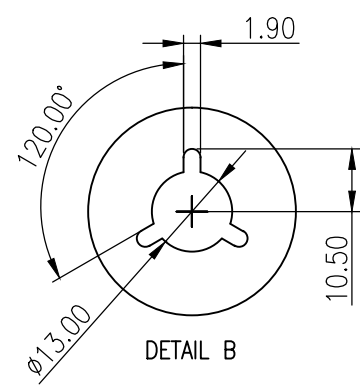
COVER TAPE PEELING ANGLE: 165°~180°
PEELING FORCE: 20~130g

CARRIER TAPE

User Direction of Unreeling →

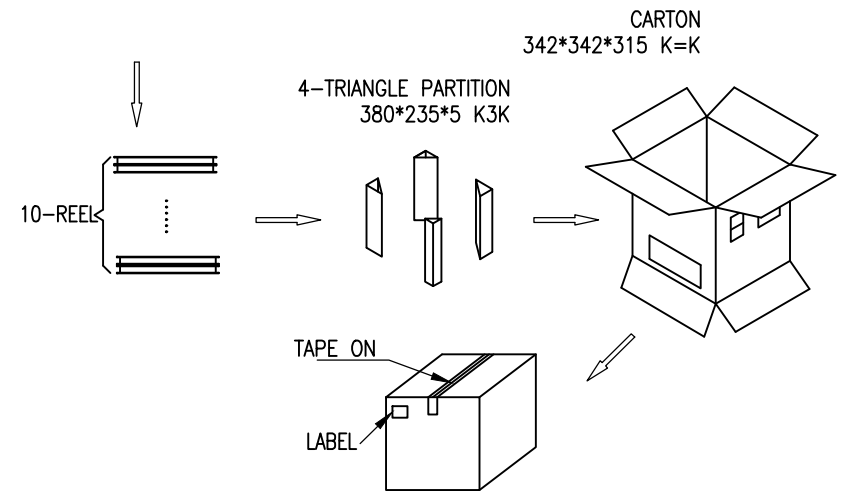


DETAIL B



NOTES

- NUMBER OF CONNECTORS: 1600PCS/REEL
- LEAD TAPE LENGTH
- QUANTITY: 16000PCS/CARTON
- WEIGHT :
 3.1 NET WEIGHT : Kg
 3.2 GROSS WEIGHT : Kg



GENERAL TOLERANCE		DWG NO.	APPD:	Scale	1:1	
X.±0.45	x.±5°	Title	NANO SIM CARD PUSH PUSH 7PIN 1.24H 包装图	CHKD:	UNIT	mm
.X±0.35	.x'±2°			DR:	视角	
.XX±0.25	.xx'±1°	Part NO.	Date	2019/07/20	版本	A2
.XXX±0.15	.xxx'±0.5°			JYSCONN Electronics Co., LTD.		
SHEET	3/3					